



Project _____
 Item No. _____
 Model No. _____
 Quantity _____

CSI No. 114000

DROP-IN MERCHANDISERS – 36" AND 48" WIDE



PT-R-30-SS-2SLG-2SLG-D-C
 36" Wide, Pass-Thru, Standard Depth
 (Shown with optional laminate finish)

MODEL GUIDE

Model Number	Description
<input type="checkbox"/> PT-R-30-SS-2SLG-2SLG-N-C	36" Wide, Pass-Thru, Narrow Depth
<input type="checkbox"/> PT-R-30-SS-2SLG-2SLG-D-C	36" Wide, Pass-Thru, Standard Depth
<input type="checkbox"/> PT-R-50-SS-2SLG-2SLG-N-C	48" Wide, Pass-Thru, Narrow Depth
<input type="checkbox"/> PT-R-50-SS-2SLG-2SLG-D-C	48" Wide, Pass-Thru, Standard Depth

STANDARD FEATURES:

Construction/Cabinet

- Exterior front and sides – heavy gauge stainless steel
- Exterior bottom – heavy gauge galvanized
- Stainless steel compressor housing
- Stainless steel top and back
- Stainless steel interior
- Cabinet body is foamed-in-place minimum 2-1/2" thick polyurethane insulation
- Fully coved interior with welded radius corners for easy cleaning
- Interior LED lighting
- Three adjustable chrome plated wire shelves
- Self-closing vinyl frame sliding glass doors

Refrigeration Package

- Expansion valve refrigeration system for superior recovery and temperature pulldown
- Low Pressure control – prevents compressor burnout in case of refrigerant loss
- Bottom-mounted compressor
- R-513a, non-flammable, low GWP refrigerant for superior temperature recovery and pulldown
- Hot gas condensate evaporator quickly dissipates condensation using zero additional energy
- Receiver tank and service valves – allows reuse of refrigerant and enables rapid pulldown during times of peak demand
- Integrated sight glass – allows technicians to easily detect leaks or moisture without tools

Control Systems & Warranty Coverage

- Digital temperature control – easily adjust setpoint between 35-40°F
- Master power switch
- One 6 foot electrical cord
- Warranty: 5 year compressor, 5 year parts, 1 year labor

KEY FEATURES:

- NSF Approved for beverage AND food storage (able to merchandise non-perishable beverages such as water and soda as well as perishable food products and beverages including milk)
- Flange trim for recessed installation into serving counter (specify flange trim when ordering unit)

OPTIONS & ACCESSORIES:

- Temperature alarm
- 6" seismic legs
- Beverage glides
- Glass door lock
- Laminate exterior finish (specify manufacturer and pattern)
- Custom vinyl wrap exterior finish

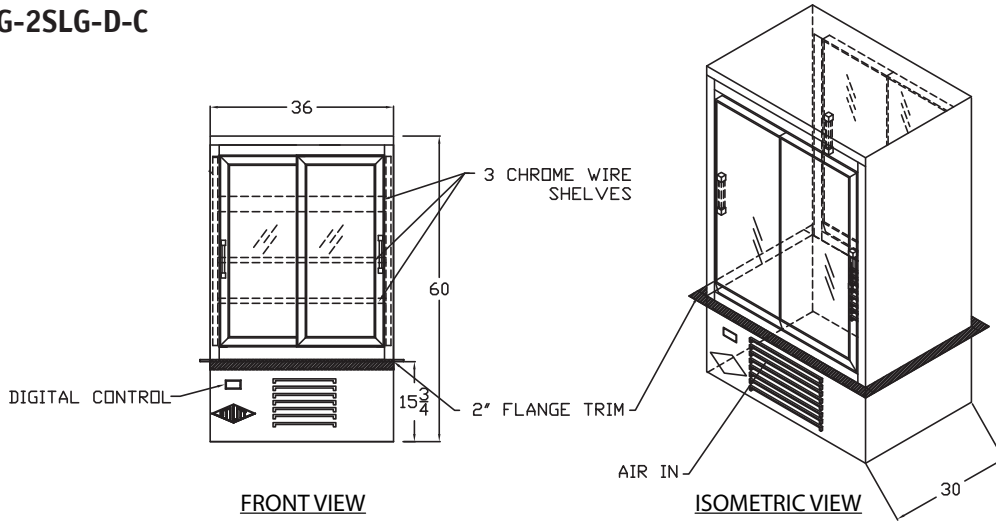
AGENCY APPROVALS:





MERCHANDISERS FEATURING FLANGE TRIM – 36" AND 48" WIDE

PT-R-30-SS-2SLG-2SLG-D-C



PRODUCT DATA	PT-R-30-SS-2SLG-2SLG-D-C	PT-R-30-SS-2SLG-2SLG-N-C	PT-R-50-SS-2SLG-2SLG-D-C	PT-R-50-SS-2SLG-2SLG-N-C
	Standard Depth	Narrow Depth	Standard Depth	Narrow Depth
KEY DIMENSIONS				
Width (overall)	36.0"	36.0"	48.0"	48.0"
Depth Pass-Thru Models (overall)	30.0"	24.0"	30.0"	24.0"
CAPACITY				
Capacity (cu. ft.)	16.6	12.6	23.0	17.5
Number of Shelves	3	3	3	3
Shelf Area (sq. ft., including bottom)	20.0	15.2	28.4	21.6
ELECTRICAL				
Voltage (dedicated circuit required)	115V	115V	115V	115V
Amperage	8.7	8.7	8.7	8.7
NEMA Plug Configuration	5-15 P	5-15 P	5-15 P	5-15 P
Horsepower	1/3	1/3	1/3	1/3
SHIPPING				
Ship Weight (lbs.)	430	430	730	730
Ship Volume, Standard Depth (cu. ft.)	53.6	47.2	70.1	54.7
Crated Dimensions (72" H)	39"W x 33"D	39"W x 27"D	51"W x 33"D	51"W x 27"D

Data is for standard models: options may change specifications.

UTILITY REFRIGERATOR

12160 Sherman Way • North Hollywood, CA 91605

Telephone: (818) 764-6200 • Fax: (818) 764-6211

www.utilityrefrigerator.com

DUE TO CONTINUOUS PRODUCT IMPROVEMENTS, SPECIFICATIONS ARE SUBJECT TO CHANGE WITHOUT NOTICE.

©/™/® Utility Refrigerator



WARNING - This product can expose you to chemicals including Di(2-ethylhexyl)phthalate (DEHP), which is [are] known to the State of California to cause cancer and birth defects or other reproductive harm. For more information go to www.P65Warnings.ca.gov

UR-R2 | MU