

UTILITY REFRIGERATOR

LOW HEIGHT FREEZER-REMOTE-ONE SECTION



MODEL LHF-30-1D
SHOWN WITH OPTIONAL MARINE EDGE
TOP

| MODEL NO. | DESCRIPTION |
|-------------------------------------|--|
| <input type="checkbox"/> LHF-30-1D | 30" Wide, One Drawer, 2 Pans Front-to-Back |
| <input type="checkbox"/> LHF-30T-1D | 30" Wide, One Drawer, 2 Pans Front-to-Back |
| <input type="checkbox"/> LHF-36-1D | 36" Wide, One Drawer, 2 Pans Side-by-Side |
| <input type="checkbox"/> LHF-36T-1D | 36" Wide, One Drawer, 2 Pans Side-by-Side |
| <input type="checkbox"/> LHF-48-1D | 48" Wide, One Drawer, 3 Pans Side-by-Side |
| <input type="checkbox"/> LHF-48T-1D | 48" Wide, One Drawer, 3 Pans Side-by-Side |

Model numbers with "T" accommodate 6" deep pans for extra capacity
See nomenclature for model numbers with drawer combinations
"FB/SBS" indicates 6 pans each front-to-back and side-by-side

STANDARD FEATURES

- Modular design allows for side-by-side line up of cabinets
- Stainless steel front, sides and self-closing drawers
- Rugged drawer construction
- Integral one-piece stainless steel drawer pull
- Snap-in magnetic gaskets
- Coved corner stainless steel interior
- Adjustable 6" stainless steel legs or 6" casters in lieu of legs
- Utilities pre-plumbed with stub outs on left side (optional on right side)
- Heavy-duty built-in security cylinder door lock
- Concealed condensate heaters around each opening
- Self-closing door hinges with stay-open feature at 120 degrees (std. door hinging is left door hinged left, center and right doors hinged right; other configurations available)
- Expansion valve refrigeration system
- **Reinforced top to support heavy restaurant equipment**
- **Specially insulated top for efficient cooling when used with cooking equipment**
- Low cabinet height places cooking equipment at ergonomically convenient level
- Condensate evaporator
- R-404a refrigerant for superior temperature recovery and pulldown
- Impact-resistant PVC breaker strip
- **3 year parts, 1 year labor warranty**

OPTIONS & ACCESSORIES

- Stainless steel top (specify equipment flat, or marine edge type)
- Stainless steel back ___ and/or bottom___ (specify either or both)
- Marine secure latch
- Door in lieu of drawers (specify hinging)
- Drawer locking hasp
- Additional chrome wire shelves (specify quantity)_____
- Stainless steel wire shelves in lieu of chrome
- Thermostat & solenoid
- Condensing unit (air or water-cooled; please specify)
- Alternate locations for refig/elec/drain stub outs (please specify)
- 6" front locking casters in lieu of legs (no charge)
- 6" seismic legs
- Correctional facilities package
- Custom modifications (please specify)



UTILITY REFRIGERATOR

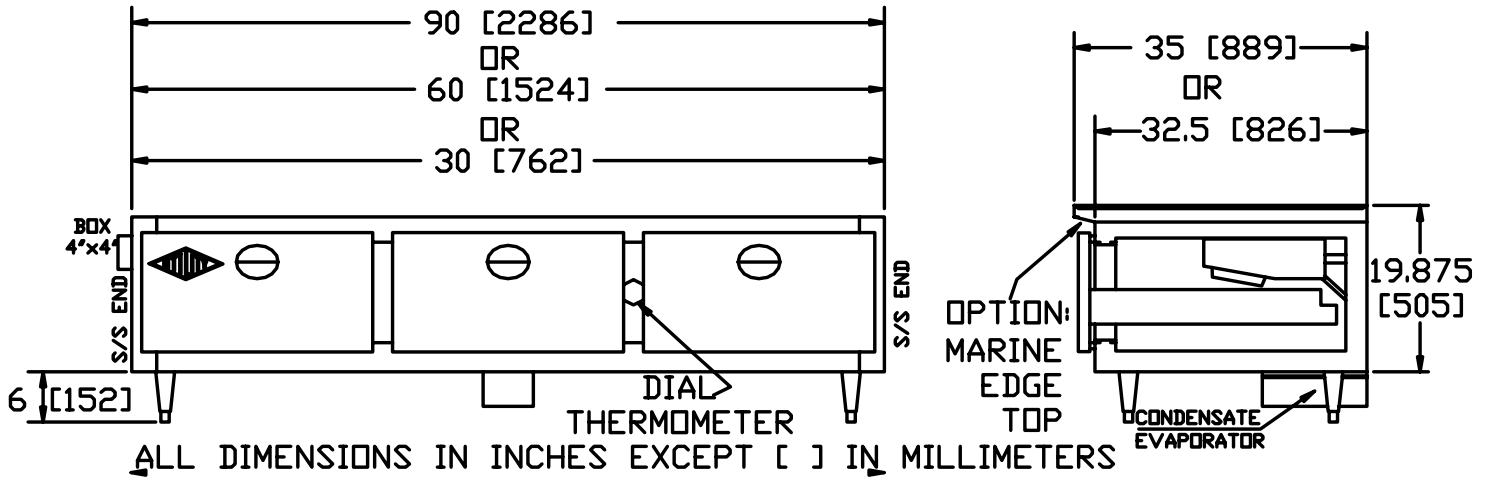
Manufacturers of The Finest Quality Refrigeration Equipment
Since 1931
www.utilityrefrigerator.com
PROUDLY MADE IN THE USA





UTILITY REFRIGERATOR

LOW HEIGHT FREEZER-REMOTE-ONE SECTION



| PRODUCT DATA (DATA IS FOR STD. MODELS: OPTIONS MAY CHANGE SPECIFICATIONS) | LHF-30-1D | LHR-30T-1D | LHR-36-1D | LHR-36T-1D | LHR-48-1D | LHR-48T-1D |
|--|-------------------|-------------------|-------------------|-------------------|-------------------|-------------------|
| Width (overall) | 30" | 30" | 36" | 36" | 48" | 48" |
| Depth (overall) | 34 1/2" | 34 1/2" | 34 1/2" | 34 1/2" | 34 1/2" | 34 1/2" |
| Height (optional stainless top adds 1") | 25" | 27" | 25" | 27" | 25" | 27" |
| Depth (overall, drawer fully extended) | 55 1/2" | 55 1/2" | 55 1/2" | 55 1/2" | 55 1/2" | 55 1/2" |
| Pan capacity, 12" x 20" pans | 2 | 2 | 2 | 2 | 3 | 3 |
| Voltage (dedicated circuit required) | 115 | 115 | 115 | 115 | 115 | 115 |
| Amperage | 5.8 | 5.9 | 5.8 | 5.9 | 5.9 | 6.0 |
| BTU Req. (90°F ambient, -15°F evaporator, 20' max. line length) | 790 | 810 | 903 | 975 | 1189 | 1203 |
| Ship weight (lbs.) | 297 | 307 | 345 | 355 | 437 | 447 |
| Ship volume (cu. ft.) | 21 | 31 | 25 | 27 | 32 | 35 |
| Crated dimensions (38 1/2" D) | 27" H x 35 1/2" W | 29" H x 35 1/2" W | 27" H x 41 1/2" W | 29" H x 41 1/2" W | 27" H x 53 1/2" W | 29" H x 53 1/2" W |

SPECIFICATIONS

Cabinet Exterior - Exterior sides and front are constructed of heavy gauge stainless steel. Exterior back and bottom are constructed of heavy gauge galvanized or optional stainless steel. Exterior temperature display. Square-cornered construction allows for continuous side-by-side line-up of cabinets. Cabinet is supported on heavy-duty, adjustable 6" legs. Cabinet body is 100% CFC free, foamed-in-place polyurethane insulation.

Cabinet Interior - All heavy gauge stainless steel construction with coved corners. Heavy-duty stainless steel shelf standards and shelf clips for superior durability and corrosion resistance. One (1) chrome plated wire shelf per door opening. Each drawer has four, 2" diameter stainless steel ball-bearing rollers which travel on 14 gauge stainless steel slides. Door openings protected by impact-resistant PVC breaker strip.

Doors - All stainless steel construction with magnetic snap-in gasket. Door perimeters have built-in energy saving condensate heaters. One piece, stamped door handle with heavy-duty built-in security lock. In order to prevent damage to door during installation, doors are equipped with self-closing lift-off cam hinges for easy door removal. Doors stay open at 120 degrees for easy access to interior. Insulation is 100% CFC free foamed-in-place polyurethane.

Refrigeration - R-404a refrigerant. Thermostatic expansion valve for superior performance and efficiency, faster temperature recovery, less running time and lower energy consumption. Automatic defrost with fan delay to prevent hot air from being circulated in cabinet. Evaporator coil fully installed with pre-plumbed, stubbed out refrigeration and electrical lines to save time and expense during installation. Drain line exits on bottom at center of rear wall (other configurations available; please consult factory).



UTILITY REFRIGERATOR

Manufacturers of The Finest Quality Refrigeration Equipment Since 1931
 10029 Bradley Ave. Pacoima, CA 91331
 (818) 899-8300 Fax (818) 899-8335
www.utilityrefrigerator.com

In line with its policy to continually improve its products, Utility Refrigerator reserves the right to change materials and specifications without notice.



UTILITY® IS PROUDLY MADE IN THE USA

LHFREM1-GL