



Project _____ Item# _____

UTILITY REFRIGERATOR

COUNTER HIGH FREEZER-REMOTE



MODEL CHF-50-2S-D
SHOWN WITH OPTIONAL MARINE EDGE TOP



MODEL CHF-60-2D-1S-D
SHOWN WITH OPTIONAL MARINE EDGE TOP

MODEL NO.	DESCRIPTION
<input type="checkbox"/> CHF-30-1S-D	30" Wide, One Door
<input type="checkbox"/> CHF-50-2S-D	50" Wide, Two Doors
<input type="checkbox"/> CHF-60-2S-D	60" Wide, Two Doors
<input type="checkbox"/> CHF-75-3S-D	75" Wide, Three Doors
<input type="checkbox"/> CHF-90-3S-D	90" Wide, Three Doors

See nomenclature for model numbers with drawer combinations

OPTIONS	MODEL NO. MODIFICATION
<input type="checkbox"/> Pass-Thru	Add prefix "PT" to model number
<input type="checkbox"/> Narrow Depth	Change "D" to "N"

STANDARD FEATURES

- Modular design allows for side-by-side line up of cabinets
- Self-closing door hinges with stay-open feature at 120 degrees (std. door hinging is left door hinged left, center and right doors hinged right; other configurations available)
- Stainless steel front, sides and self-closing drawers
- Coved corner stainless steel interior
- Drawers hold two 12" x 20" pans or fractional pans (pans by others)
- One chrome plated wire shelf per door opening
- Adjustable 6" heavy-duty legs or 6" casters in lieu of legs
- Utilities pre-plumbed with stub outs on left side (optional on right side)
- Heavy-duty, built-in security cylinder door lock
- Concealed condensate heaters around each opening
- Rugged drawer construction
- Integral one-piece stainless steel drawer pull
- Snap-in magnetic door gaskets
- Expansion valve refrigeration system
- Condensate evaporator
- R-404a refrigerant for superior temperature recovery and pulldown
- Impact-resistant PVC breaker strip
- 3 year parts, 1 year labor warranty

OPTIONS & ACCESSORIES

- Stainless steel top (specify flat or marine edge type)
- Stainless steel back ___ and/or bottom ___ (specify either or both)
- Marine secure latch
- Drawer locking hasp
- Two or three drawers in lieu of door (Only in std. depth 30", 60" or 90" sections)
- Glass doors (specify three pane or heated glass)
- Additional chrome wire shelves (specify quantity) _____
- Stainless steel wire shelves in lieu of chrome shelves
- Tray slides "L" Type ___ Universal ___ "R" Type ___ (specify quantity)
- Thermostat & solenoid
- Condensing unit (air or water-cooled; please specify)
- Mullion coil (in lieu of ceiling mount; required with tray slides)
- Alternate locations for refig/elec/drain stub outs (please specify)
- 6" front locking casters in lieu of legs (no charge)
- 6" seismic legs
- Low profile casters
- Interior lights
- Correctional facilities package
- Custom modifications (please specify)



UTILITY REFRIGERATOR

Manufacturers of The Finest Quality Refrigeration Equipment
Since 1931

www.utilityrefrigerator.com

PROUDLY MADE IN THE USA

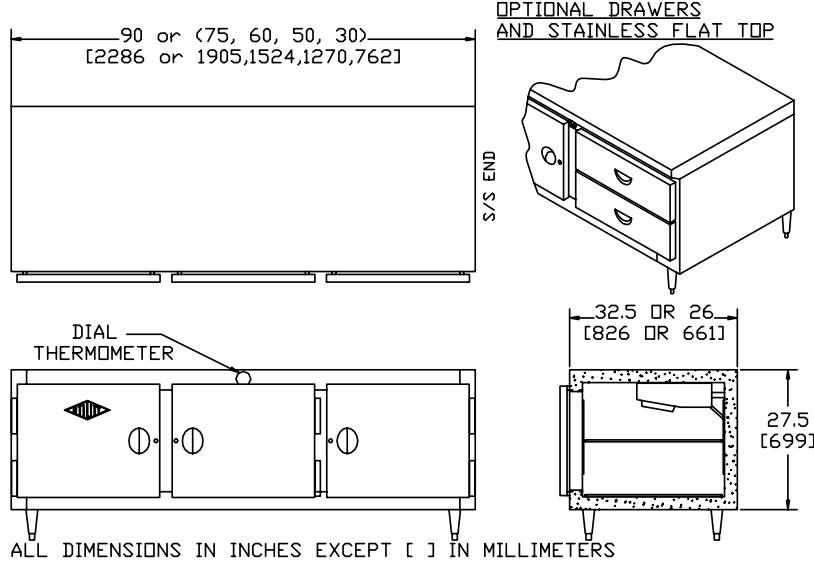




Project _____ Item# _____

UTILITY REFRIGERATOR

COUNTER-HIGH FREEZER-REMOTE



ALL DIMENSIONS IN INCHES EXCEPT [] IN MILLIMETERS

PRODUCT DATA (DATA IS FOR STD. MODELS: OPTIONS MAY CHANGE SPECIFICATIONS)	CHF-30	CHF-50	CHF-60	CHF-75	CHF-90
Width (overall)	30"	50"	60"	75"	90"
Overall depth (standard)	34 1/2"	34 1/2"	34 1/2"	34 1/2"	34 1/2"
Overall depth (narrow)	28"	28"	28"	28"	28"
Height (overall inc. legs)	33 1/2"	33 1/2"	33 1/2"	33 1/2"	33 1/2"
Depth, door open 90° (standard)	62 1/4"	57 1/4"	62 1/4"	57 1/4"	62 1/4"
Depth, door open 90° (narrow)	55 3/4"	50 3/4"	55 3/4"	50 3/4"	55 3/4"
Door opening (net width)	23 1/4"	18 1/4"	23 1/4"	18 1/4"	23 1/4"
Door opening (net height)	19 1/4"	19 1/4"	19 1/4"	19 1/4"	19 1/4"
Capacity, standard depth (cu. ft.)	9	16	20	25	31
Capacity, narrow depth (cu. ft.)	6.7	12	14.7	18.7	22.7
B.T.U req'd (90° F amb., 20° F evap., 20' max. line length)	890	1335	1500	1800	2130
Voltage (dedicated circuit required)	115	115	115	115	115
Amperage	6.6	6.8	7.7	9.0	10.0
Ship weight (lbs.)	194	315	362	448	535
Ship volume, standard depth (cu. ft.)	28.5	44.5	52.5	64.5	76.5
Ship volume, narrow depth (cu. ft.)	24.0	37.5	44.0	54.5	65.0
Crated dims., std. (38 1/2" D x 36" H)	35 1/2" W	55 1/2" W	65 1/2" W	80 1/2" W	95 1/2" W
Crated dims., narrow (32 1/2" D x 36" H)	35 1/2" W	55 1/2" W	65 1/2" W	80 1/2" W	95 1/2" W

SPECIFICATIONS

Cabinet Exterior - Exterior sides and front are constructed of heavy gauge stainless steel. Exterior back and bottom are constructed of heavy gauge galvanized or optional stainless steel. Exterior dial thermometer. Square-cornered construction allows for continuous side-by-side line-up of cabinets. Cabinet is supported on heavy-duty, adjustable 6" legs. Cabinet body is 100% CFC free, foamed-in-place polyurethane insulation.

Cabinet Interior - All heavy gauge stainless steel construction with coved corners. Optional automatic interior light with concealed actuator. Heavy-duty stainless steel shelf standards and shelf clips for superior durability and corrosion resistance. One (1) chrome plated wire shelf per door opening. Each drawer has four, 2" diameter stainless steel ball-bearing rollers which travel on 14 gauge stainless steel slides. Openings protected by impact-resistant PVC breaker strip.

Doors - All stainless steel construction with magnetic snap-in gasket. Door openings have built-in energy saving condensate heaters. One piece, stamped door handle with heavy-duty, built-in security cylinder lock. In order to prevent damage to door during installation, doors are equipped with self-closing lift-off cam hinges for easy door removal. Doors stay open at 120 degrees for easy access to interior. Insulation is 100% CFC free, foamed-in-place polyurethane. Standard door hinging is left door hinged left, center and right doors hinged right (other configurations available; please specify).

Refrigeration - R-404a refrigerant. Thermostatic expansion valve for superior performance and efficiency, faster temperature recovery, shorter running time and lower energy consumption. Automatic defrost with fan delay to prevent hot air from being circulated in cabinet. Evaporator coil fully installed with pre-plumbed, stubbed out refrigeration and electrical lines to save time and expense during installation. Drain line exits on bottom at center of rear wall (other configurations available; please consult factory).

In line with its policy to continually improve its products, Utility Refrigerator reserves the right to change materials and specifications without notice.



UTILITY REFRIGERATOR

Manufacturers of The Finest Quality Refrigeration Equipment Since 1931
10029 Bradley Ave. Pacoima, CA 91331
(818) 899-8300 Fax (818) 899-8335
www.utilityrefrigerator.com



CONFORMS TO ANSII/UL471 CONFORMS TO NSF-7

UTILITY® IS PROUDLY MADE IN THE USA
CHFR-GL